

## Hanging Aid Samsung OH 75 / 85 assembly aid

**Item no.: 5886**

Due to the high weight of the device, it is advisable to use a lifting device when installing a Samsung OH 75" or 85" outdoor monitor.

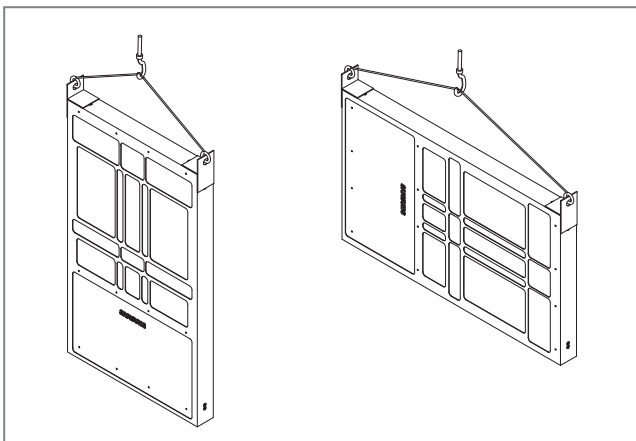
The optional mounting brackets are mounted on the screen and allow it to be hung on a lifting device.

The mounting aid is designed in such a way that it uses the screw threads already provi-

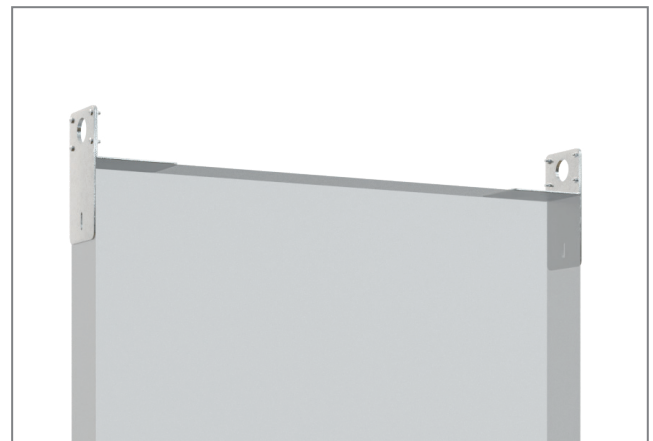
ded in the Samsung screen and intended for mounting.

The Hanging Aid Samsung OH 75 / 85 can be used for both landscape and portrait orientation.

Since the assembly aid do not remain on the mounted device, they can also be reused.



Suitable for mounting in landscape or portrait orientation



Display specifically adapted for Samsung OH 75 and 85 outdoor monitors

## Hanging Aid Samsung OH 75 / 85 assembly aid

**Item no.: 5886**

- Assembly aid / Mounting bracket / Bracket Hang
- Allows the screen to be hung on a lifting device
- Display specific for Outdoor monitors  
Samsung OH 75" and Samsung OH 85"
- Reuseable
- Material: Steel
- Colour: silver
- Incl. all assembly materials
- Recommended for use with:
  - WH OH 75 | Item no.: 5866
  - ScreenOut<sup>®</sup> OH 75 Portrait | Item no.: 5878
  - ScreenOut<sup>®</sup> OH 75 Landscape | Item no.: 5885

